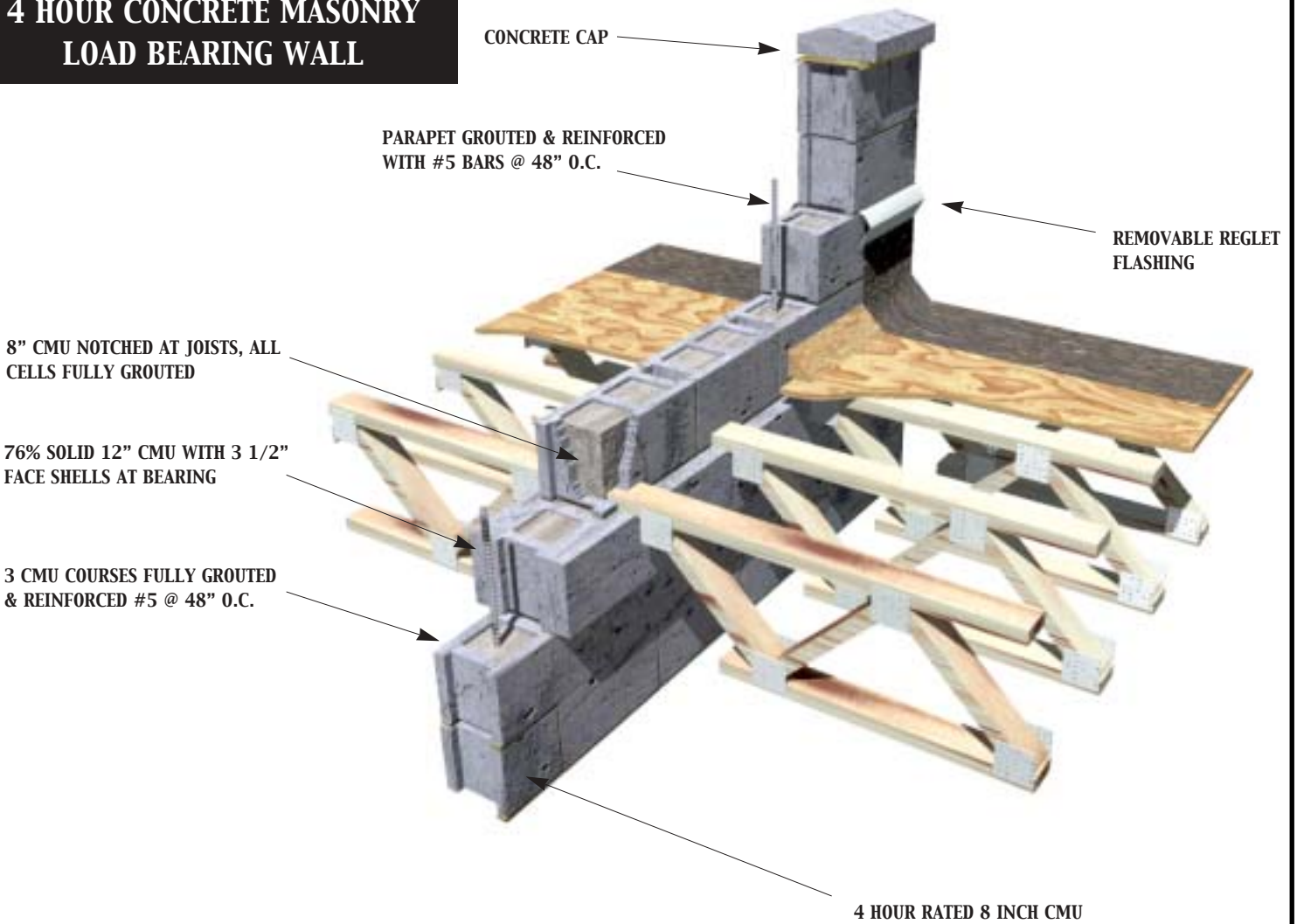


4 HOUR CONCRETE MASONRY LOAD BEARING WALL

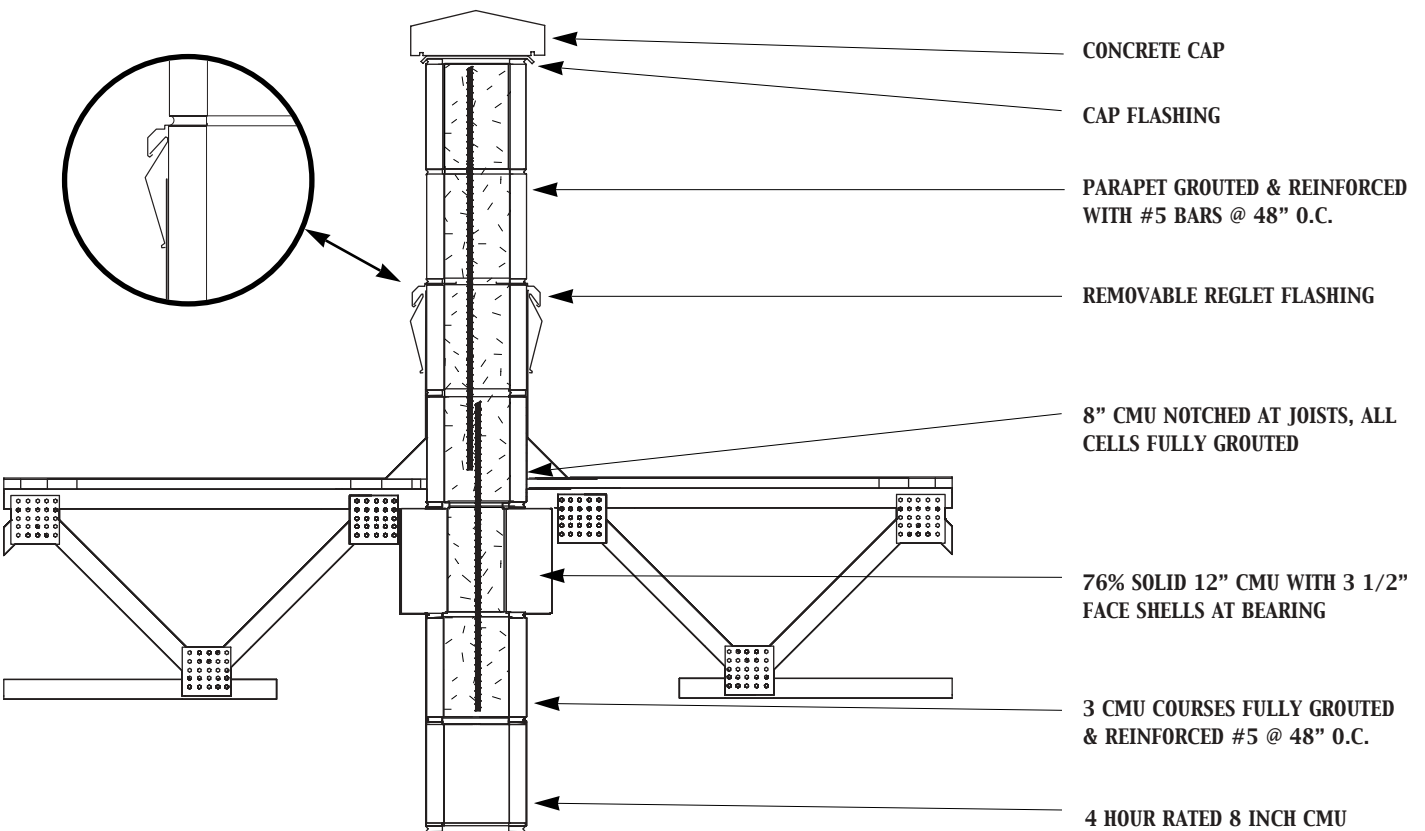


8" CMU NOTCHED AT JOISTS, ALL CELLS FULLY GROUTED

76% SOLID 12" CMU WITH 3 1/2" FACE SHELLS AT BEARING

3 CMU COURSES FULLY GROUTED & REINFORCED #5 @ 48" O.C.

4 HOUR RATED 8 INCH CMU



CONCRETE CAP

CAP FLASHING

PARAPET GROUTED & REINFORCED WITH #5 BARS @ 48" O.C.

REMOVABLE REGLET FLASHING

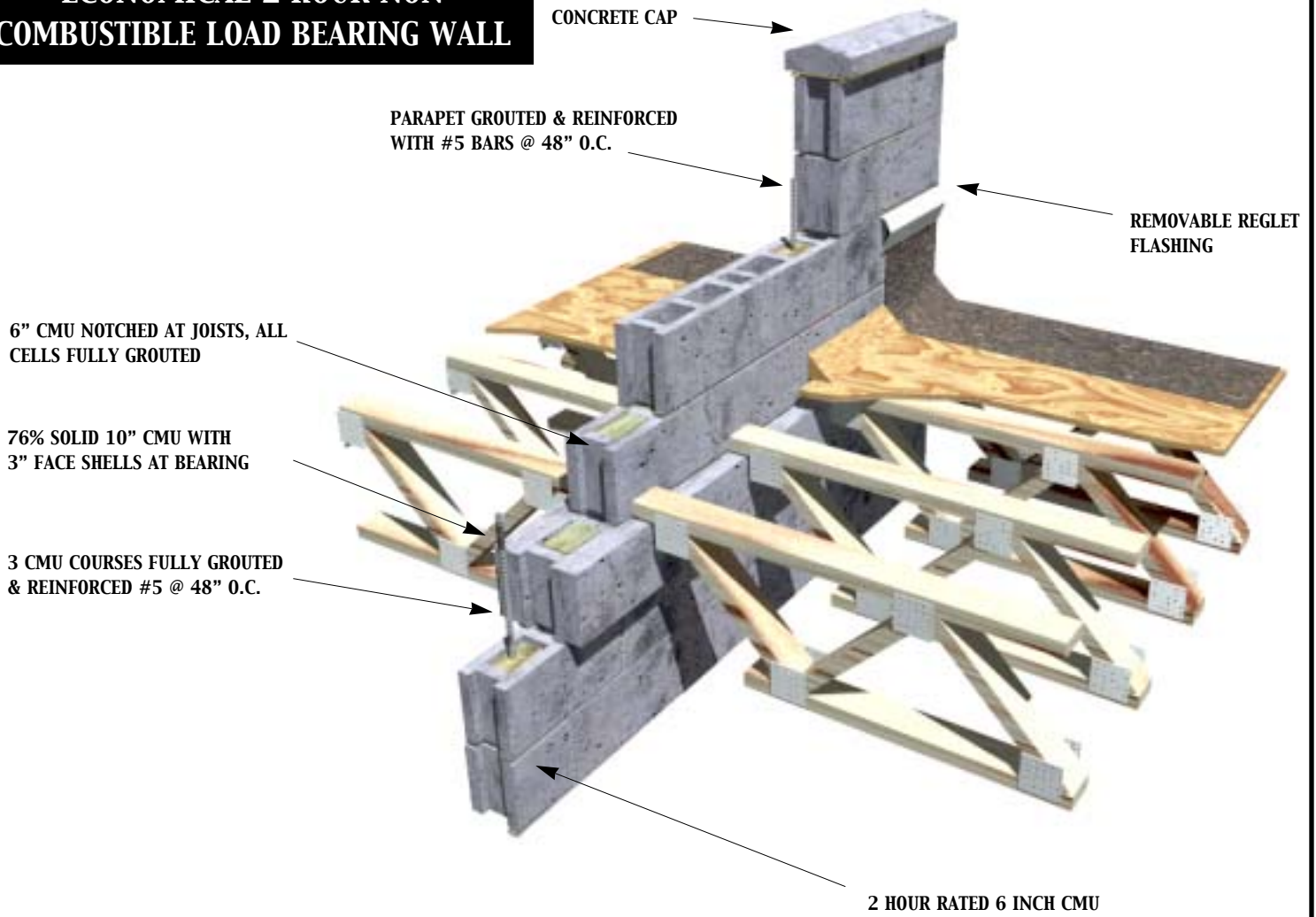
8" CMU NOTCHED AT JOISTS, ALL CELLS FULLY GROUTED

76% SOLID 12" CMU WITH 3 1/2" FACE SHELLS AT BEARING

3 CMU COURSES FULLY GROUTED & REINFORCED #5 @ 48" O.C.

4 HOUR RATED 8 INCH CMU

ECONOMICAL 2 HOUR NON COMBUSTIBLE LOAD BEARING WALL

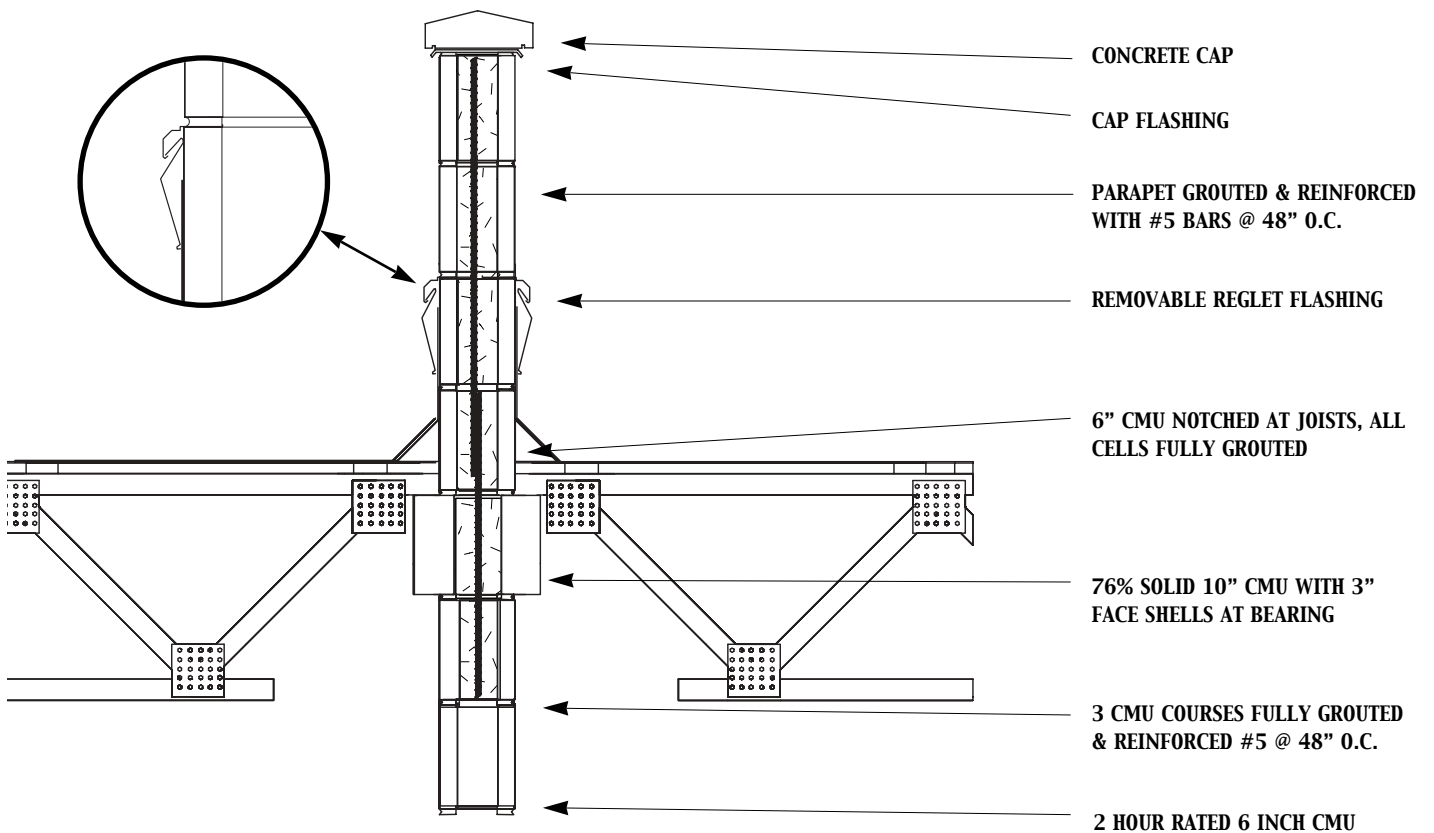


6" CMU NOTCHED AT JOISTS, ALL CELLS FULLY GROUTED

76% SOLID 10" CMU WITH 3" FACE SHELLS AT BEARING

3 CMU COURSES FULLY GROUTED & REINFORCED #5 @ 48" O.C.

2 HOUR RATED 6 INCH CMU



CONCRETE CAP

CAP FLASHING

PARAPET GROUTED & REINFORCED WITH #5 BARS @ 48" O.C.

REMOVABLE REGLET FLASHING

6" CMU NOTCHED AT JOISTS, ALL CELLS FULLY GROUTED

76% SOLID 10" CMU WITH 3" FACE SHELLS AT BEARING

3 CMU COURSES FULLY GROUTED & REINFORCED #5 @ 48" O.C.

2 HOUR RATED 6 INCH CMU

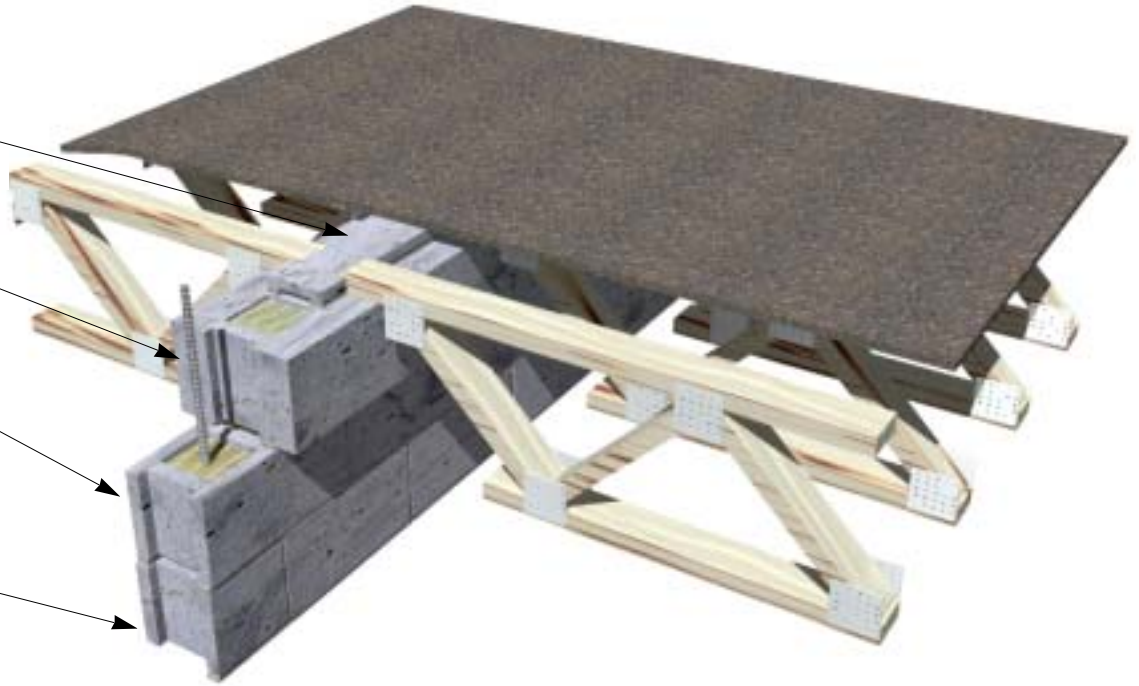
4 HOUR CONCRETE MASONRY LOAD BEARING WALL

100% SOLID 6" CMU TO MAINTAIN
FIRE RATING BETWEEN JOISTS

76% SOLID 12" CMU WITH 3 1/2"
FACE SHELLS AT BEARING

2 TOP CMU COURSES FULLY GROUTED
& REINFORCED #5 @ 48" O.C.

4 HOUR RATED 8" CMU



100% SOLID 6" CMU TO MAINTAIN
FIRE RATING BETWEEN JOISTS

76% SOLID 12" CMU WITH 3 1/2"
FACE SHELLS AT BEARING

2 TOP CMU COURSES FULLY GROUTED
& REINFORCED #5 @ 48" O.C.

4 HOUR RATED 8" CMU

